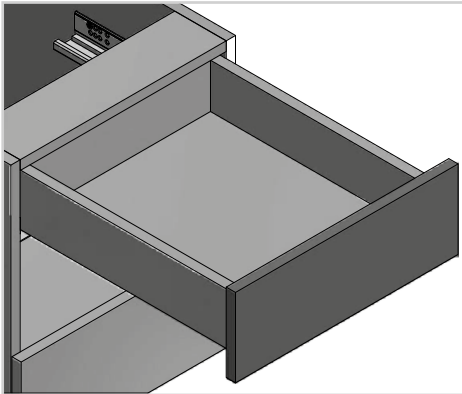


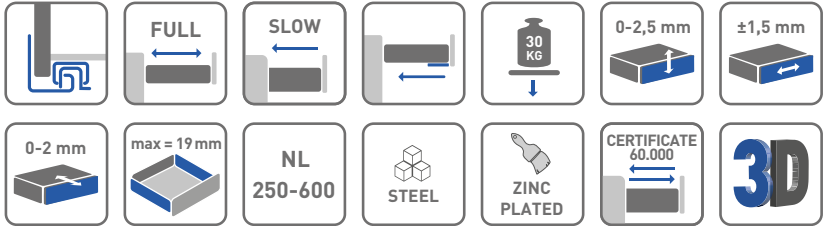
# Undermount drawer slide with soft closing 0SHX-18 3D



## APPLICATION

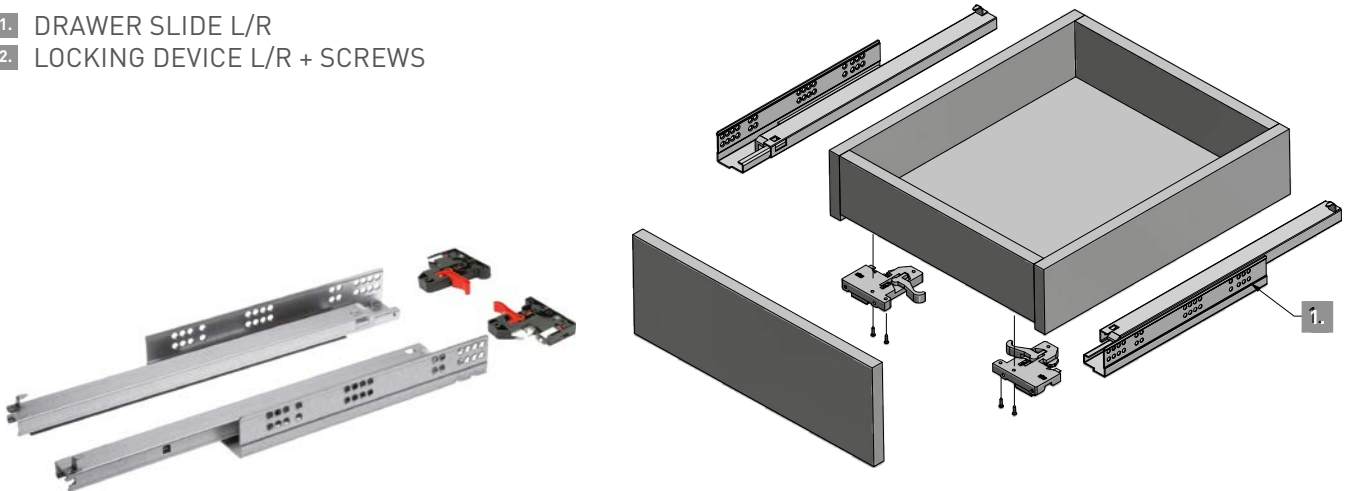



## CHARACTERISTICS

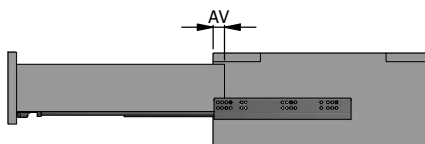


## ADDITIONAL INFORMATION

1. DRAWER SLIDE L/R
2. LOCKING DEVICE L/R + SCREWS



NL mm		AV mm
250	PB-3D0SHX18-250-H	16
300	PB-3D0SHX18-300-H	16
350	PB-3D0SHX18-350-H	16
400	PB-3D0SHX18-400-H	16
450	PB-3D0SHX18-450-H	16
500	PB-3D0SHX18-500-H	16
550	PB-3D0SHX18-550-H	16
600	PB-3D0SHX18-600-H	16



NL = nominal slide length

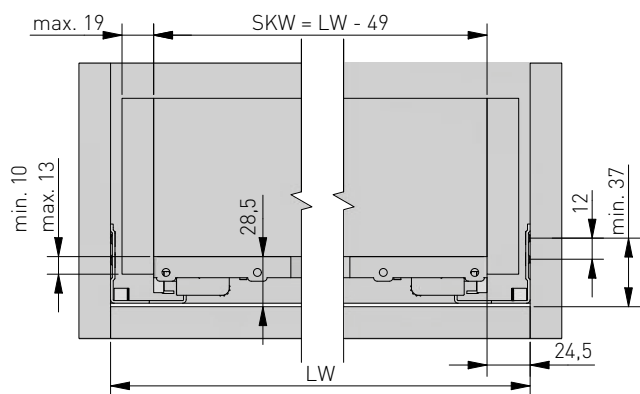
AV = extension loss

## MOUNTING INFORMATION

For proper drawer operation, the width of the drawer can not exceed the nominal slide length.

PLANNING

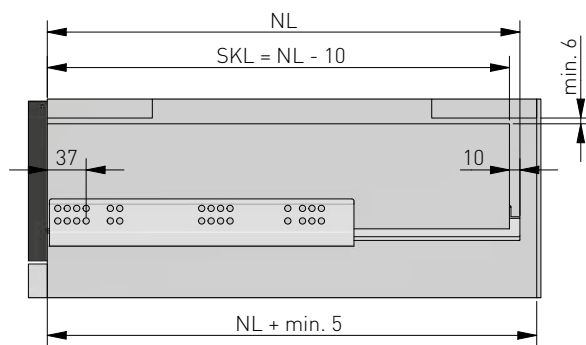
drawer width



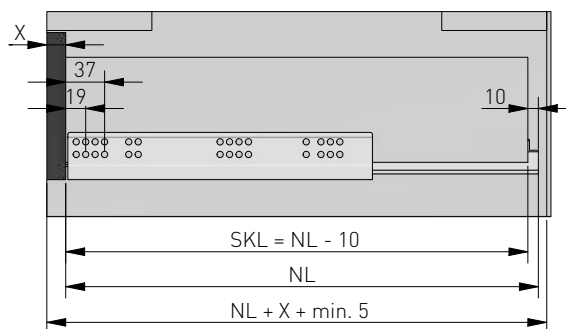
LW = inner cabinet width

SKW = inner drawer width

standard drawer



inner drawer



X = drawer front thickness SKL = drawer depth

NL = nominal slide length

mounting dimensions

